

HIGH-POWER SKIVED FIN HEATSINKS PARTS & ASSEMBLIES Selection Guideline 2026 REV1.0



Total Thermal Solution

WAKEFIELDTHERMAL.COM | 603.635.2800

120 NORTHWEST BLVD, NASHUA, NH 03063
PHONE: (603) 635-2800 | FAX: (603) 635-1900
COMMUNICATIONS@WAKEFIELDTHERMAL.COM

WAKEFIELDTHERMAL.COM

© 2025 WAKEFIELD THERMAL, INC. ALL RIGHTS RESERVED.

HIGH-POWER SKIVED FIN HEATSINKS PARTS & ASSEMBLIES

Wakefield Thermal produces standard Skived Fin Heatsinks as an alternative to extruded heat sinks when looking for a fin density that can't be achieved by extrusion technology. We've coupled that with fan(s), mounting bracket(s), fan guard(s) and required hardware to provide you with a complete turnkey assembly ready for installation in your design.

Whether you are in the market for a complete assembly (pictured below), replacement parts or already have parts to install, you've come to the right place. Here is what we have to offer:

COMPLETE ASSEMBLY:

To purchase from our standard line of complete assemblies, see page 3.

SKIVED FIN HEATSINK:

For a replacement skived fin heat sink, go to page 4. To purchase a stand-alone for testing, go to page 5 and customize to fit your needs.

BRACKET KIT:

To buy our bracket kit designed for a range of options, refer to page 6.

FANS:

You can purchase a replacement fan for your assembly or choose any of our large assortment of fans here:

- [Standard DC Fans](#)
- [IP68 DC Fans](#)

UNIQUE FEATURES & BENEFITS:

- High fin density
- Cost efficiency
- Turnkey solution



STANDARD ASSEMBLY SIZE GUIDE

Wakefield's skived fin heat sink assemblies are available in custom sizes (see page 5) or standard sizes, as detailed here:

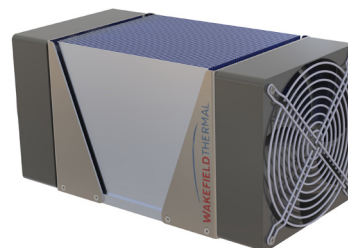
STANDARD ASSEMBLIES									
PART NUMBER	FAN DETAILS			HEAT SINK DETAILS					
	PUSH OR BOTH	SIZE (in)	QTY	BASE WIDTH (in)	BASE LENGTH (in)	THERMAL RESISTANCE (°C/W)*			
SFA2P1S	Push Only	2	1	2	6	0.1180			
SFA2P2S			2	4		0.0590			
SFA2P3S			3	6		0.0390			
SFA2P4S			4	8		0.0300			
SFA2P5S			5	10		0.0240			
SFA2P6S			6	12		0.0200			
SFA4P1S		4	4	1	4	12	0.0500		
SFA4P2S				2	8		0.0250		
SFA4P3S				3	12		0.0170		
SFA4P1L				1	4		0.0470		
SFA4P2L				2	8		0.0240		
SFA4P3L				3	12		0.0160		
SFA2B1S	Both (Push and Pull)	2	2	2	6	0.1000			
SFA2B2S			4	4		0.0500			
SFA2B3S			6	6		0.0330			
SFA2B4S			8	8		0.0250			
SFA2B5S			10	10		0.0200			
SFA2B6S			12	12		0.0170			
SFA4B1S		4	4	2	4	12	0.0430		
SFA4B2S				4	8		0.0220		
SFA4B3S				6	12		0.0140		
SFA2B1L				2	2		2	2	0.0940
SFA2B2L							4	4	0.0470
SFA2B3L							6	6	0.0310
SFA2B4L		8	8			0.0240			
SFA2B5L		10	10			0.0190			
SFA2B6L		12	12			0.0160			
SFA4B1L		4	4	2	4	0.0470			
SFA4B2L				4	8	0.0240			
SFA4B3L				6	12	0.0160			

Assembly options include:

- (1) fan (**P**=push only) or
- (2) fans (**B**= both push and pull)
- 60 mm (2in) or 120 mm (4in) fans
- Variable widths including:
 - 1-6 fans for 60 mm
 - 1-3 fans for 120 mm
- 6" (**S**hort) and 12" (**L**ong) options



Push Only Example



Both (Push and Pull) Example

PART NUMBER KEY					
COMPLETE PART NUMBER	PRODUCT TYPE	FAN SIZE/ FIN HEIGHT (in)	FAN OPTIONS	# OF FANS WIDE	HS LENGTH (S/L)
SFA4B3L	SFA	4	B	3	L

*Thermal Resistance is simulated in a fully ducted environment.

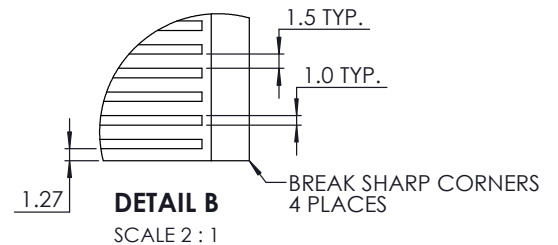
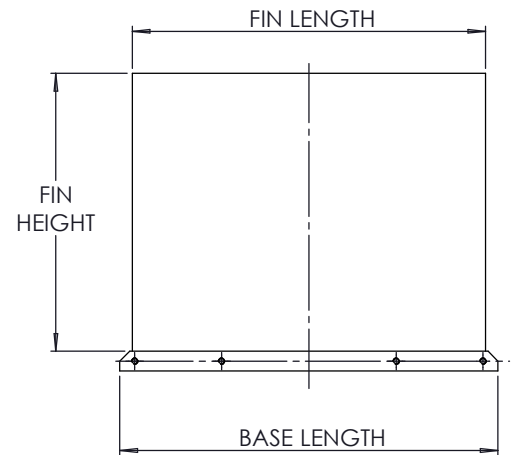
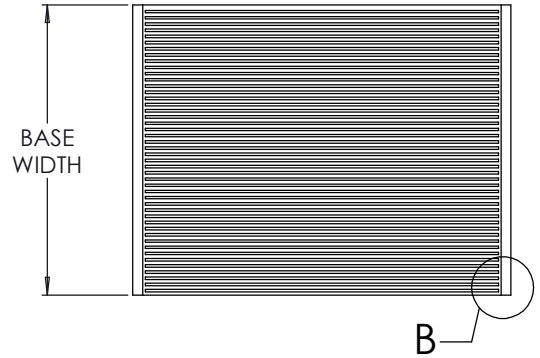


DESCRIPTION	SIZE (mm)	THICKNESS (mm)	RATED VOLTAGE (VDC)	RATED CURRENT (A)	RATED POWER (W)	RATED SPEED (RPM)	SPEED CODE	MAX AIRFLOW (CFM)	MAX PRESSURE (In H ₂ O)	NOISE LEVEL (dB/A)	# OF WIRES	CONNECTOR TYPE
DC0602512W2B-BT0	60	25	12	0.95	11.40	9800	W	55.50	1.17	66	4-WIRE	NONE
DC1203812W2B-BT0	120	38	12	1.90	22.80	4600	W	212.60	0.84	59	4-WIRE	NONE

STANDARD SIZE GUIDE

Wakefield's skived fin heat sinks are available in custom sizes (see page 5) or standard sizes, as detailed here:

STANDARD ASSEMBLY HEAT SINKS*				
HEAT SINK PART NUMBER	REFERENCE ASSEMBLY PART NUMBER	BASE WIDTH (mm)	OVERALL LENGTH (mm)	FIN HEIGHT (mm)
SKV0601530601.61.4A	SFA2P1S	60	153	60
SKV1201530601.61.4A	SFA2P2S	120		
SKV1801530601.61.4A	SFA2P3S	180		
SKV2401530601.61.4A	SFA2P4S	240		
SKV3001530601.61.4A	SFA2P5S	300		
SKV3601530601.61.4A	SFA2P6S	360		
SKV0601530601.61.4A	SFA2B1S	60		
SKV1201530601.61.4A	SFA2B2S	120		
SKV1801530601.61.4A	SFA2B3S	180		
SKV2401530601.61.4A	SFA2B4S	240		
SKV3001530601.61.4A	SFA2B5S	300		
SKV3601530601.61.4A	SFA2B6S	360		
SKV0603050601.61.4A	SFA2B1L	60	305	60
SKV1203050601.61.4A	SFA2B2L	120		
SKV1803050601.61.4A	SFA2B3L	180		
SKV2403050601.61.4A	SFA2B4L	240		
SKV3003050601.61.4A	SFA2B5L	300		
SKV3603050601.61.4A	SFA2B6L	360		
SKV1201531201.61.4A	SFA4P1S	120	153	120
SKV2401531201.61.4A	SFA4P2S	240		
SKV3601531201.61.4A	SFA4P3S	360	305	
SKV1203051201.61.4A	SFA4P1L	120		
SKV2403051201.61.4A	SFA4P2L	240		
SKV3603051201.61.4A	SFA4P3L	360	153	
SKV1201531201.61.4A	SFA4B1S	120		
SKV2401531201.61.4A	SFA4B2S	240		
SKV3601531201.61.4A	SFA4B3S	360	305	
SKV1203051201.61.4A	SFA4B1L	120		
SKV2403051201.61.4A	SFA4B2L	240		
SKV3603051201.61.4A	SFA4B3L	360		

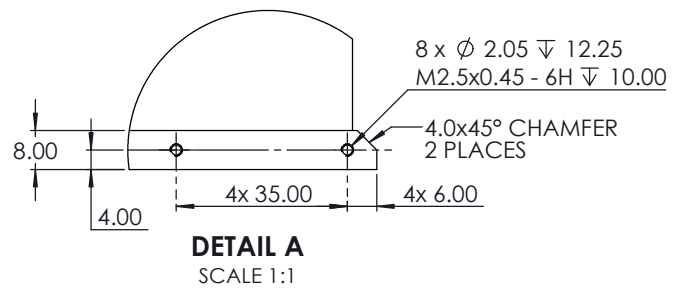
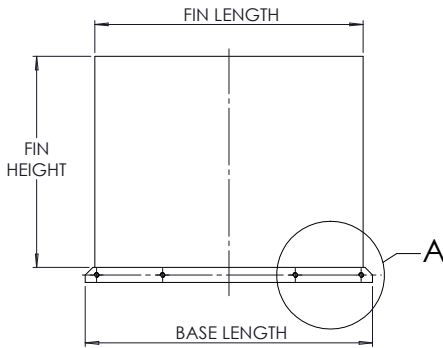
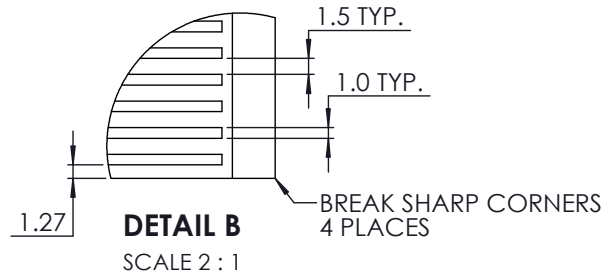
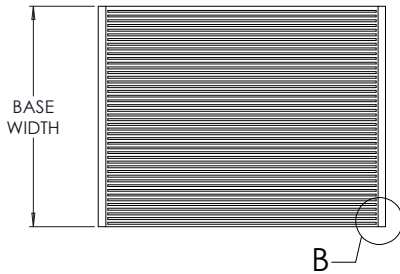


HEAT SINK CONSTANTS	
BASE THICKNESS	8mm (0.32")
FIN THICKNESS	1.6mm (0.063")
FIN SPACING	1.4mm (0.055")

*Custom Heatsinks available in copper

CUSTOM SIZE GUIDE

Wakefield's skived fin heat sinks are available in standard sizes (see page 4) or custom sizes, as detailed here:



First, choose your custom heat sink dimensions using these guidelines:

CUSTOM SIZE OPTIONS								
	BASE THICKNESS (mm)	BASE WIDTH (mm)	BASE LENGTH (mm)	FIN HEIGHT (mm)	FIN LENGTH (mm)	FIN THICKNESS (mm)	FIN SPACING (mm)	MATERIAL
RANGE	2-20*	10-700	25-200	2-120	25-200	0.1-2.0	0.2-5.0	A or C
INCREMENT	1.0	5.0	5.0	1.0	5.0	0.05	0.1	-

*BASE THICKNESS=(FIN THICKNESS*FIN HEIGHT)/FIN SPACING

Then, place your order using the part numbering syntax:

PART NUMBER SYNTAX								
PRODUCT TYPE	BASE THICKNESS	BASE WIDTH	BASE LENGTH	FIN HEIGHT	FIN LENGTH	FIN THICKNESS	FIN SPACING	MATERIAL
SKV	TT	WWW	LLL	HHH	LLL	T.T	S.S	M

Lastly, add dashes between each dimension and place your order following the example below:

COMPLETE WAKEFIELD THERMAL PART NUMBER	PRODUCT TYPE	BASE THICKNESS	BASE WIDTH	BASE LENGTH	FIN HEIGHT	FIN LENGTH	FIN THICKNESS	FIN SPACING	MATERIAL
SKV20-250-300-100-270-2.0-5.0-A	SKV	20	250	300	100	270	2.0	5.0	A

NOTE: Not all combinations are manufacturable and will be reviewed at the time of order.

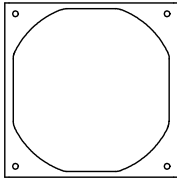
BRACKET KIT

Whether you are replacing an existing bracket or want to enhance your installation with our ready-made design, choose the bracket kit you want and it will include the hardware to mount the bracket.

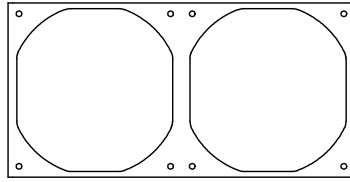
ALL
SFB4



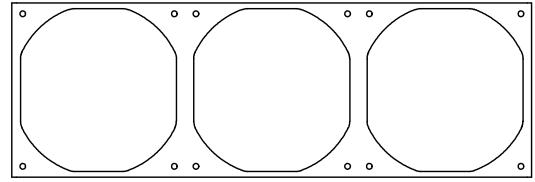
SFB-4-1



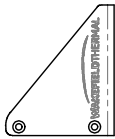
SFB-4-2



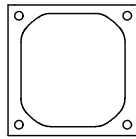
SFB-4-3



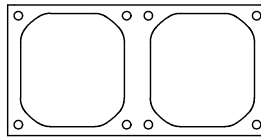
ALL
SFB2



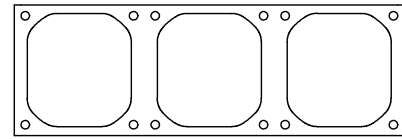
SFB-2-1



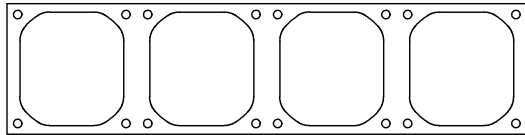
SFB-2-2



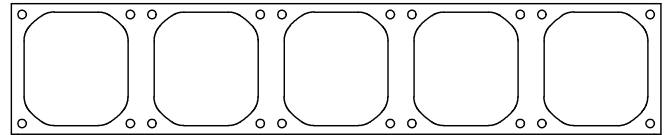
SFB-2-3



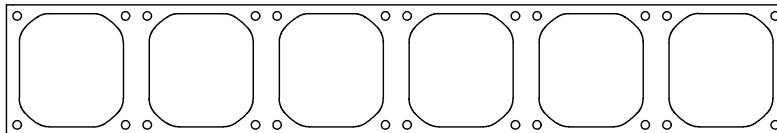
SFB-2-4



SFB-2-5



SFB-2-6



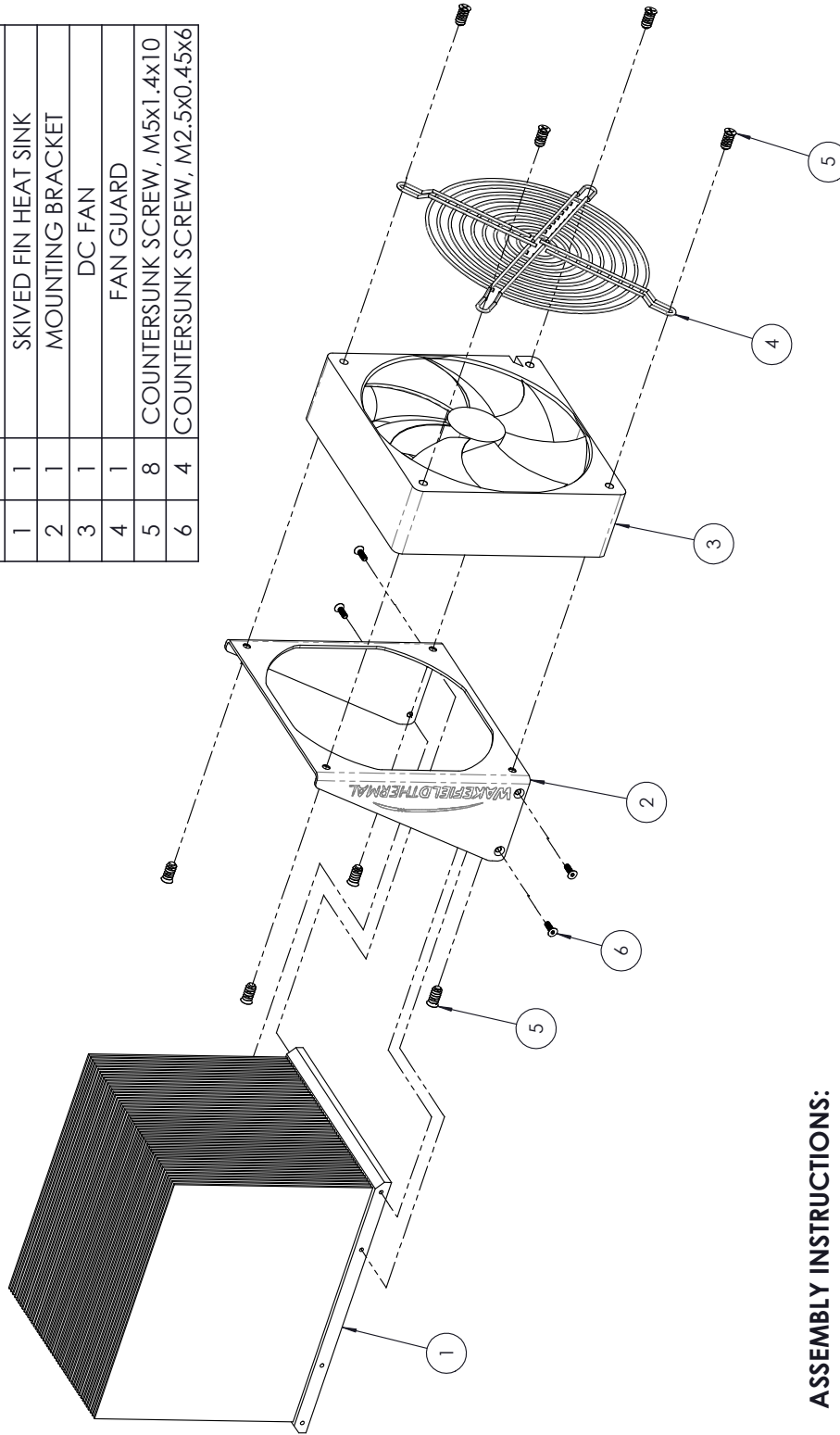
To be sure you order what you need, reference the Part Number Key below.

PART NUMBER KEY			
COMPLETE PART NUMBER	SKIVED FIN BRACKET KIT	FAN SIZE	# OF FANS WIDE
SFB-2-3	SFB	2in	3

NOTE: In order to add this to an existing heat sink which is not sold here, you will need to machine (4) tapped holes into a minimum of 8mm material thickness. See view "DETAIL A" on page 5.

ASSEMBLY BOM & INSTRUCTIONS

BOM TABLE	
ITEM NO.	DESCRIPTION
1	SKIVED FIN HEAT SINK
2	MOUNTING BRACKET
3	DC FAN
4	FAN GUARD
5	COUNTERSUNK SCREW, M5x1.4x10
6	COUNTERSUNK SCREW, M2.5x0.45x6



ASSEMBLY INSTRUCTIONS:

- A. INSTALL FAN GUARD (ITEM 4) TO FAN (ITEM 3) USING (4) SCREWS (ITEM 5)
- B. INSTALL FAN ASSEMBLY (ITEMS 3-5) FROM STEP A TO BRACKET (ITEM 2) USING (4) SCREWS (ITEM 5). ORIENT FAN FOR DESIRED AIR MOVEMENT.
- C. INSTALL FAN/BRACKET ASSEMBLY (ITEMS 2-5) FROM STEP B TO HEAT SINK (ITEM 1) USING (4) SCREWS (ITEM 6)



WAKEFIELD THERMAL



120 NORTHWEST BLVD, NASHUA, NH 03063
PHONE: (603) 635-2800 | FAX: (603) 635-1900
COMMUNICATIONS@WAKEFIELDTHERMAL.COM
WAKEFIELDTHERMAL.COM

© 2025 WAKEFIELD THERMAL, INC. ALL RIGHTS RESERVED.